

1 2 3 4 5 6 7 8

A

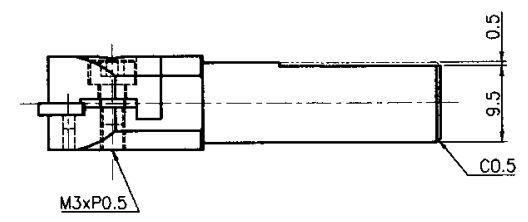
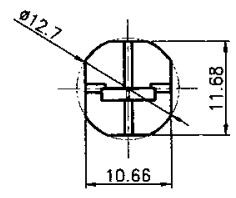
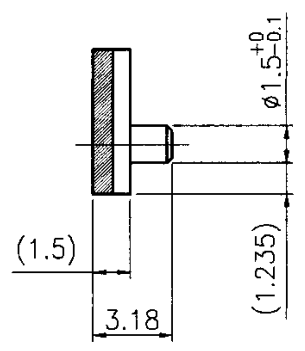
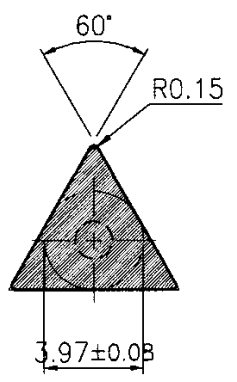
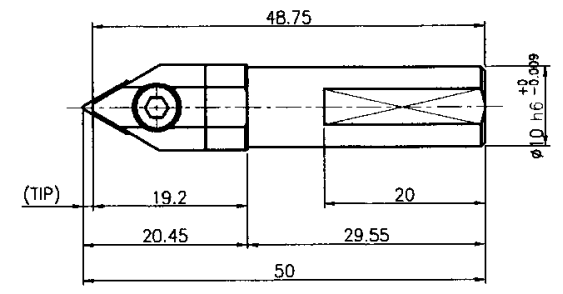
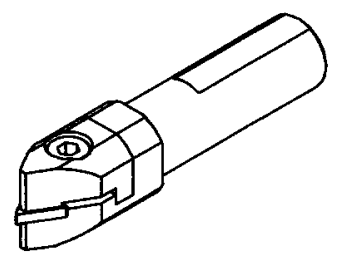
B

C

D

E

F



10D - 50L HOLDER FOR CVD INSERT

CVD INSERT TNMX 0603-0.15 - ED501

Issued by:	Date: 01/2022	Approved by: DL	File Name:	Date: 01/2022	Scale: None
			Title: TNMX0603-0.15 + HOLDER		
			Drawing N°: B044024/25W		01

1 2 3 4 5 6 7 8